

1-155.02 Quarter-Turn with T- and Wing handle Pr20.1 L30-60

Hand operable with or without key, IP65, Accommodates thick doors

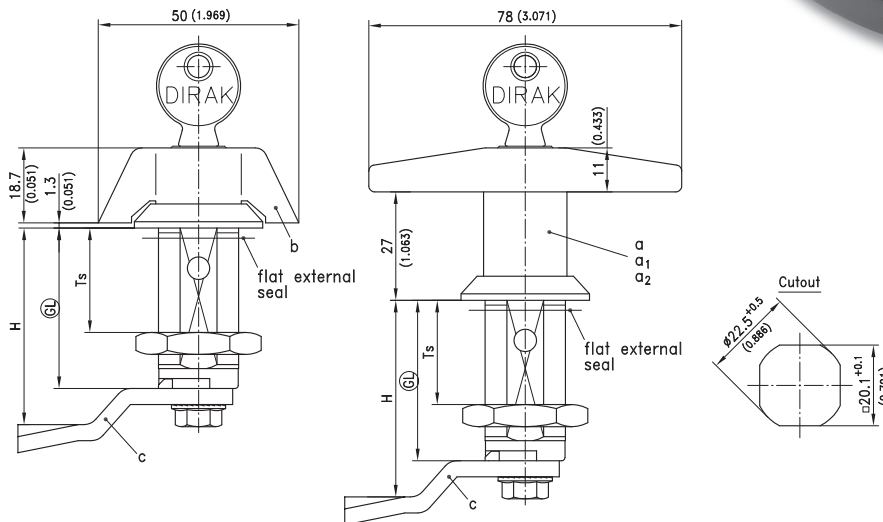


Product Notes:

- Maximum door thickness 50mm
- Water and dust tight according to IP65, DIN EN 60529
- Extended housings L = 36mm available on request
- Dimensions of handles - see Product Systems 1-130, 1-140, 1-150
- Plain or grounding nut
- T or wing handle
- RH and LH application
- Stainless steel - see Product System 7-095.02

Material:

- **Handle:** See table
- **Housing:** Zinc Die
- **Flat external seal:** NBR/Perbunan, Black
- **Wing handle:** PA, Black with Zinc Die Core
- **Housing:** Zinc Die, Black
- **Cam:** Steel, Zinc Plated



Length of 4-hole housing (GL)	30	40	50	60	See Page
Door-thickness Ts	20	30	40	50	
a) T-Handle PA, Black with Zinc Die core					
Non locking	200-9310	200-9311	200-9312	200-9346	
Keyed alike DIRAK 1333*	200-9313	200-9314	200-9315	200-9347	
Keyed alike DS200*	500-9313	500-9314	500-9315	500-9347	
keyed different	200-9316	200-9317	200-9318	200-9348	
a1) T-Handle Zinc Die, Chrome Plated					
Non locking	200-9334	200-9335	200-9336	200-9343	
Keyed alike DIRAK 1333*	200-9337	200-9338	200-9339	200-9344	
Keyed alike DS200*	500-9337	500-9338	500-9339	500-9344	
Keyed different	200-9340	200-9341	200-9342	200-9345	
PAGODA keyed alike	501-9337	501-9338	-	-	
a2) T-Handle Zinc Die, Black					
Non locking	200-9352	200-9353	200-9354	200-9355	
Keyed alike DIRAK 1333*	200-9356	200-9357	200-9358	200-9359	
Keyed alike DS200*	500-9356	-	-	-	
Keyed different	200-9360	200-9361	200-9362	200-9363	
PAGODA keyed alike	501-9356	-	-	-	
PAGODA keyed different	501-9360	-	-	-	
b) Wing handle					
Non locking	200-9322	200-9323	200-9324	200-9349	
Keyed alike DIRAK 1333*	200-9325	200-9326	200-9327	200-9350	
Keyed alike DS200*	500-9325	500-9326	500-9327	500-9350	
Keyed different	200-9328	200-9329	200-9330	200-9351	
c) Cams					
Special cams					01.101
					01.102

All lockable handles supplied with two keys.

Part No. for PAGODA version with master key system on request.

* with stainless dust-shutter